

2694-RF

- NOTICE -

This playset product is not intended for public use. It is intended for residential application and is not warranted for public or commercial use.



Call Us First!
DO NOT RETURN TO STORE.

For immediate help with assembly or product information

Call our toll-free number:

1-866-890-2211

April through October M - F 8:00 AM to 6:00 PM EST

Saturday 8:30 AM to 4:30 PM EST

November through March M - F 8:00 AM to 5:00 PM EST

or email:

customerservice@backyardproductsllc.com

Our staff is ready to provide assistance.

(This page intentionally left blank.)

Customer Service
1-866-890-2211
1000 Ternes
Monroe, MI 48162

Backyard Play Systems

Cedar Roof Accessory

Model 4185,
4332, 4333,
4334, 4335,
6246, 6351,
6352, 6353,
6354, 6371

Recommended for Ages 3 to 11

- BEFORE YOU BEGIN -

Tools Required

Phillips Bit

Combo Drive Bit

Cordless Drill
w/Charger

Drill Bits

Tape Measure

Level

8' Step Ladder

First...

- Check with your homeowner's association before assembling.
- Read instructions thoroughly before you begin. If you have purchased accessories to accompany this playset, please read all installation instructions before beginning assembly of this structure.

Check All Parts

- If a part is missing, circle the part in question and call.

Important

- In a drawing, a dotted line represents a part hidden from view (like a part under a panel).

Adult Assistance required

- Assistance is necessary to handle, fit and secure some components.

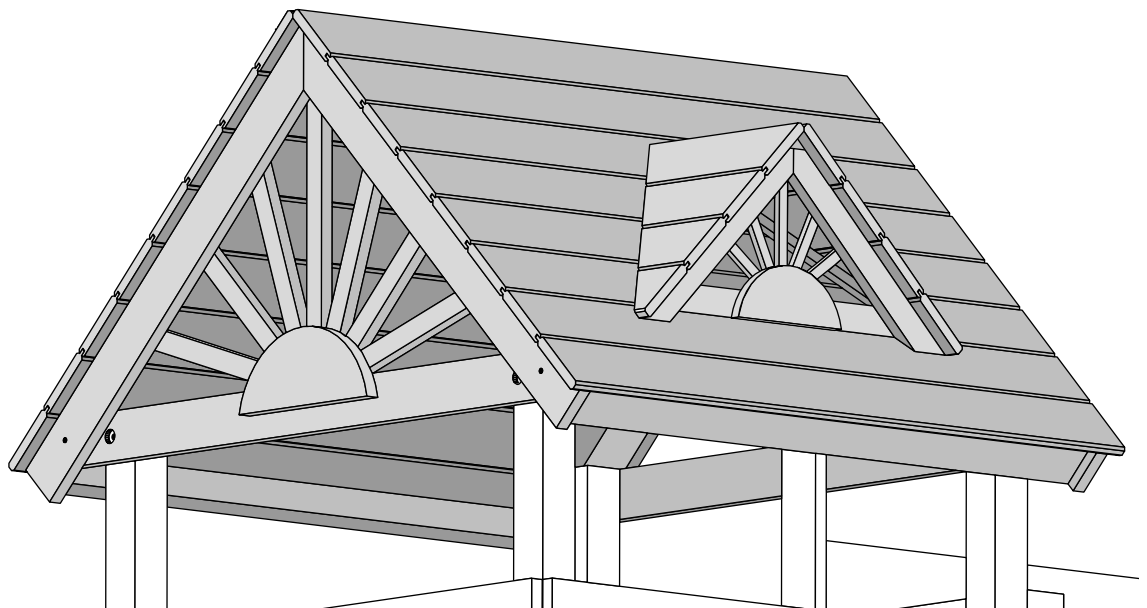
Squareness is very Important!

Start with a level surface and keep 90° corners and 90° perpendiculars throughout the assembly to ensure all components fit together.

Safety!

- Check for protruding screws and bolts, verify all screw and bolt lengths during assembly.

Always wear OSHA-APPROVED safety glasses throughout assembly process.



- NOTICE -

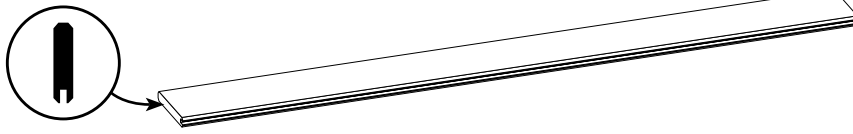
This playset product is not intended for public use. It is intended for residential application and is not warranted for public or commercial use.

Your premium playset is manufactured from wood which has many natural characteristics and blemishes that may be present in some of the pieces in your playset. These natural characteristics may include knots or minor cracks/splits. All individual parts have been cut to provide a smooth and safe surface. All parts have been inspected to assure we pack only the safest, most durable wood product. Any minor blemishes in your playset will not affect the strength, durability, or structural integrity of the finished product. Our limited warranty does not cover the imperfections not resulting in structural failure.

WOOD PARTS

Roof Slat Top

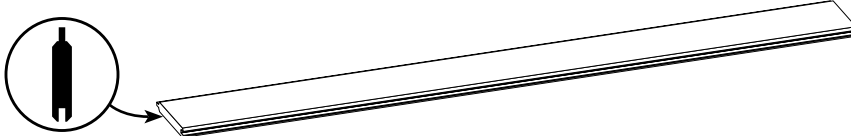
5/8 x 5-1/8 x 51-1/8"



2987-CC x2

Roof Slat Mid

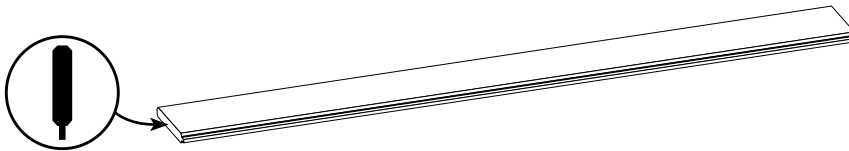
5/8 x 5-1/2 x 51-1/8"



2989-CC x12

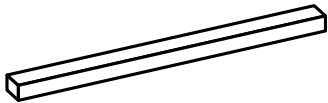
Roof Slat Bottom

5/8 x 5-1/8 x 51-1/8"



2988-CC x2

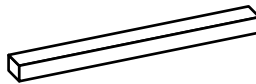
5/8 x 1-1/2 x 20-3/8"



Sun Brace Center

2991-CC x2

5/8 x 1-1/2 x 15-1/8"



Sun Brace

2990-CC x12

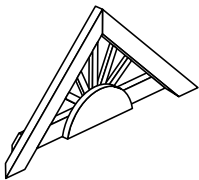
5/8 x 5-1/2 x 13-3/16"



Sun Decoration

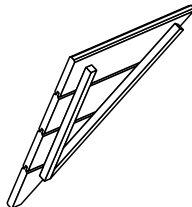
2992-CC x2

SUB-ASSEMBLED DORMER PARTS



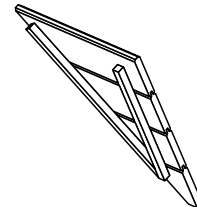
Dormer Face

3182-CC x1



Dormer Roof LEFT

3180-CC x1

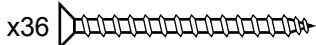


Dormer Roof RIGHT

3181-CC x1

HARDWARE

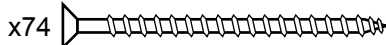
30 mm



x36

#8 Screw

1-5/8"



x74

#8 Screw

2"

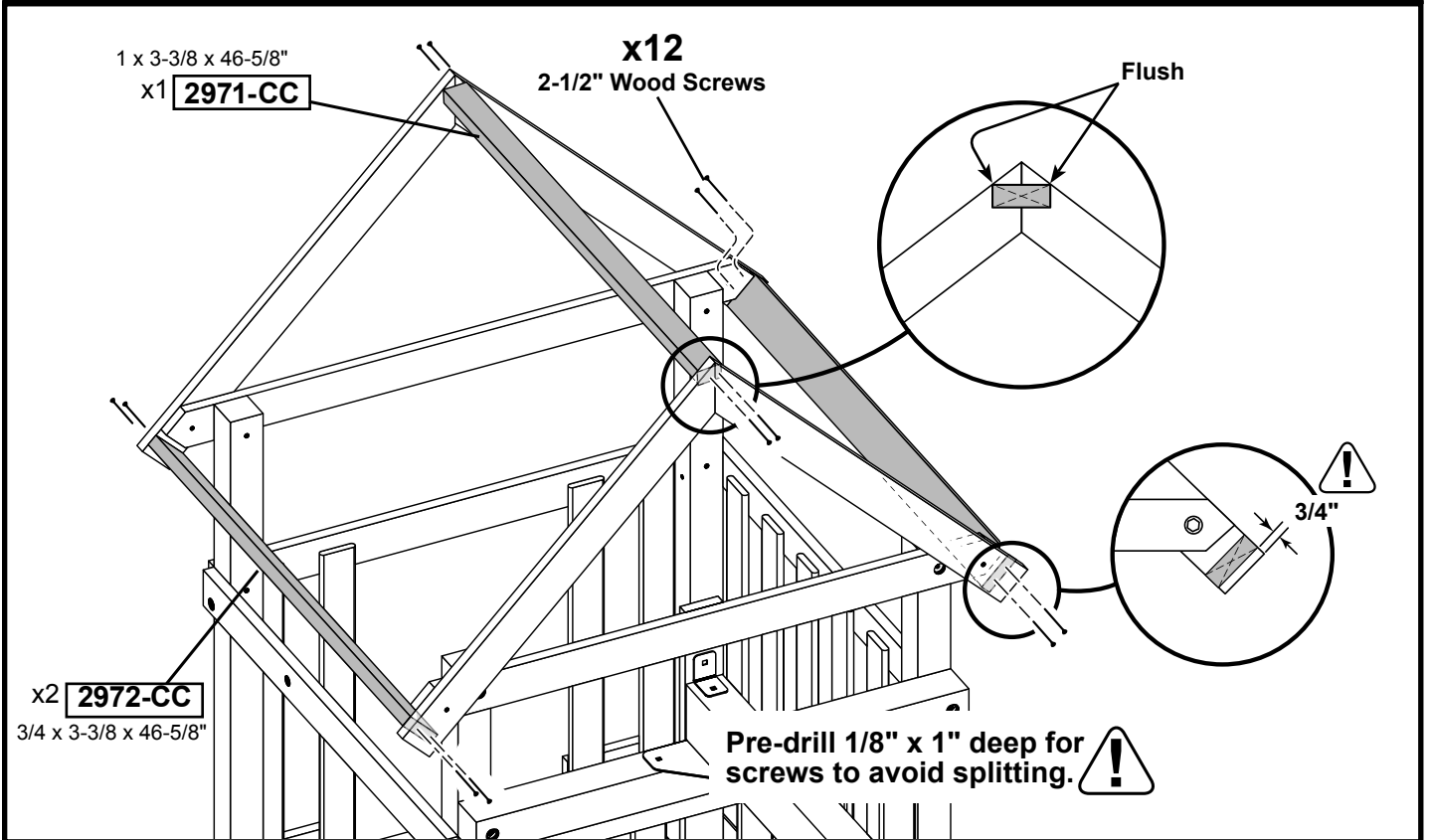


x8

#8 Screw

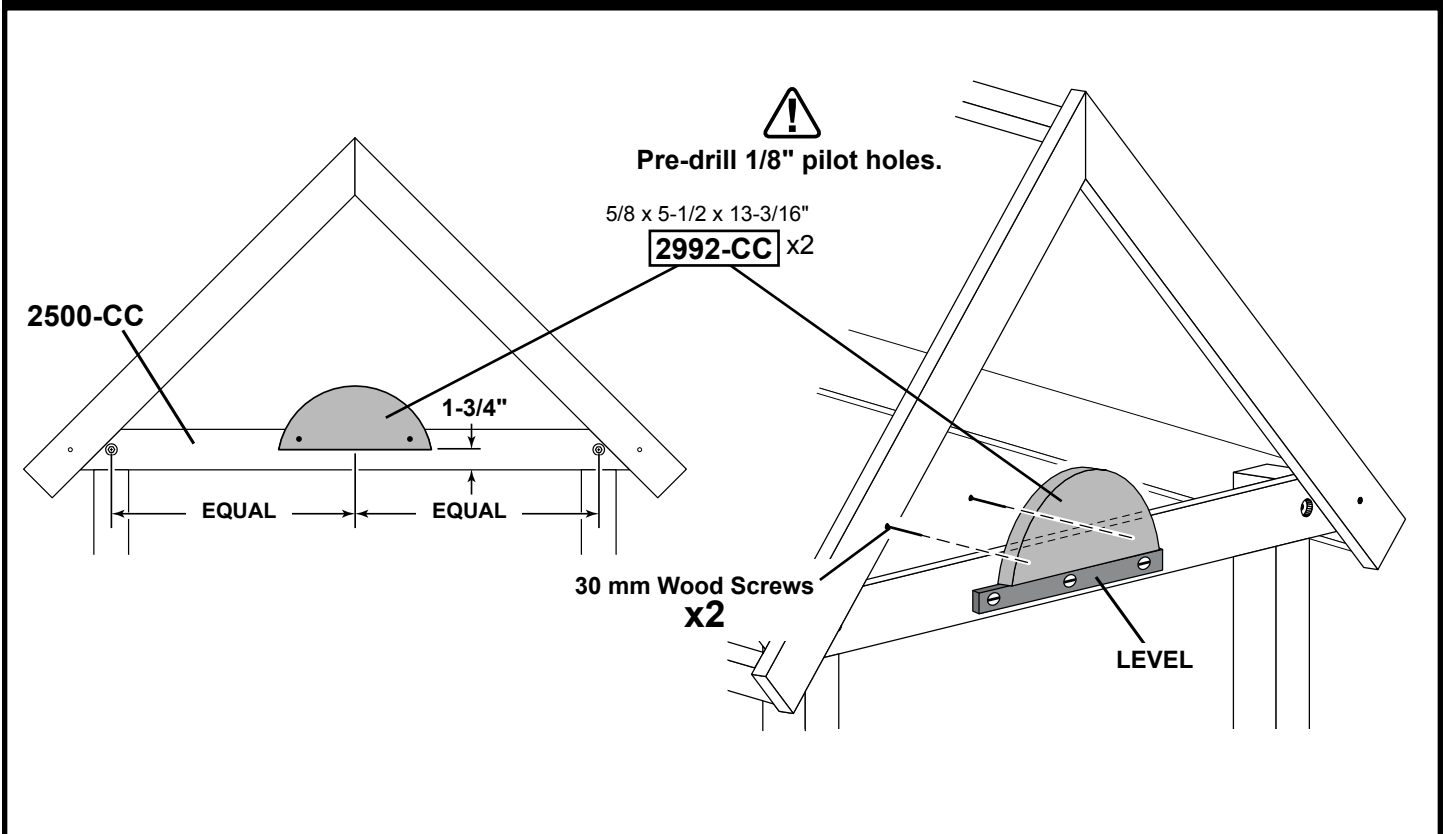
ROOF FRAME

INSTALL



SUN DECORATION

INSTALL

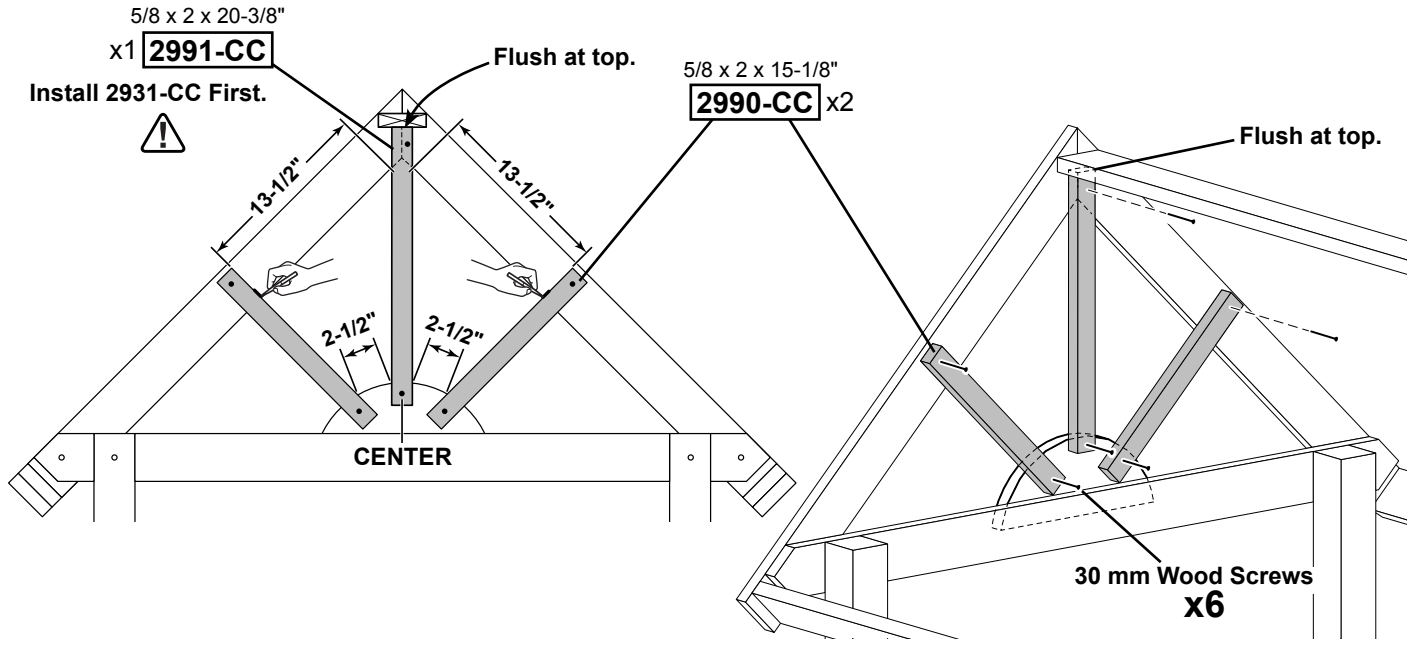


SUN DECORATION

INSTALL

Install 2991-CC centered and flush using two 30 mm screws as shown.

Measure and mark rafter as shown. Install two 2990-CC's between marks using two 30 mm screws.



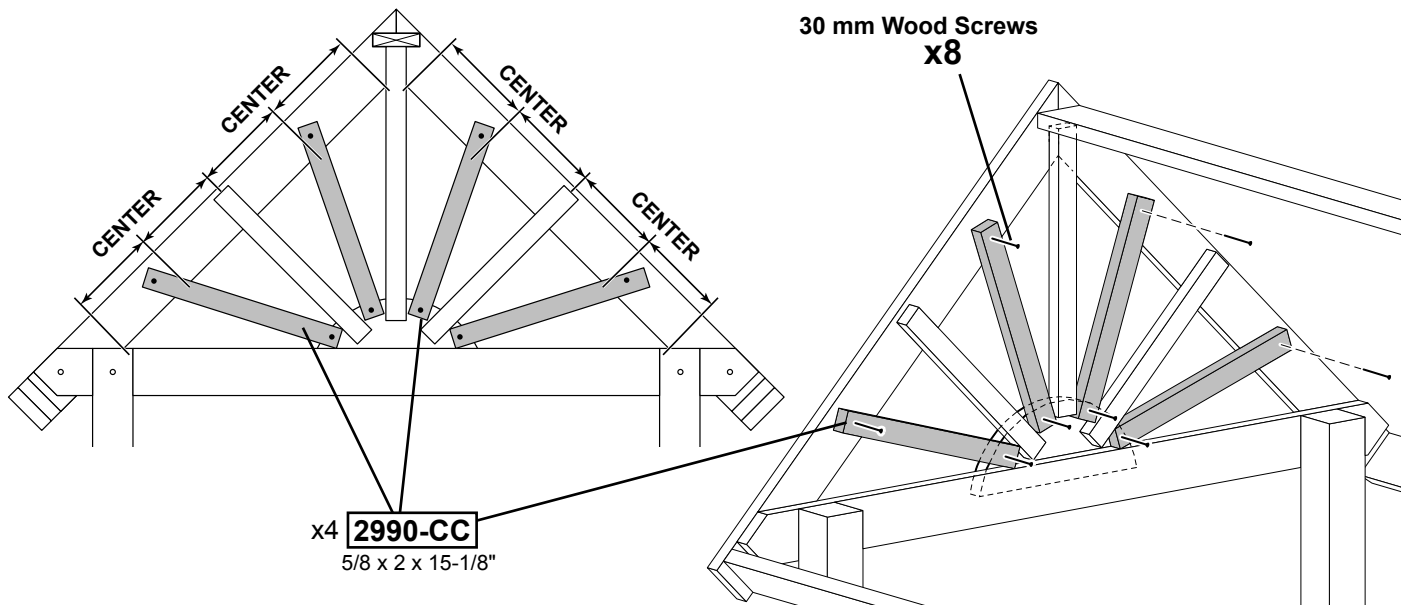
SUN DECORATION

INSTALL

Center remaining 2990-CC's as shown.

Install 2990-CC centered and flush using two 30 mm screws as shown.

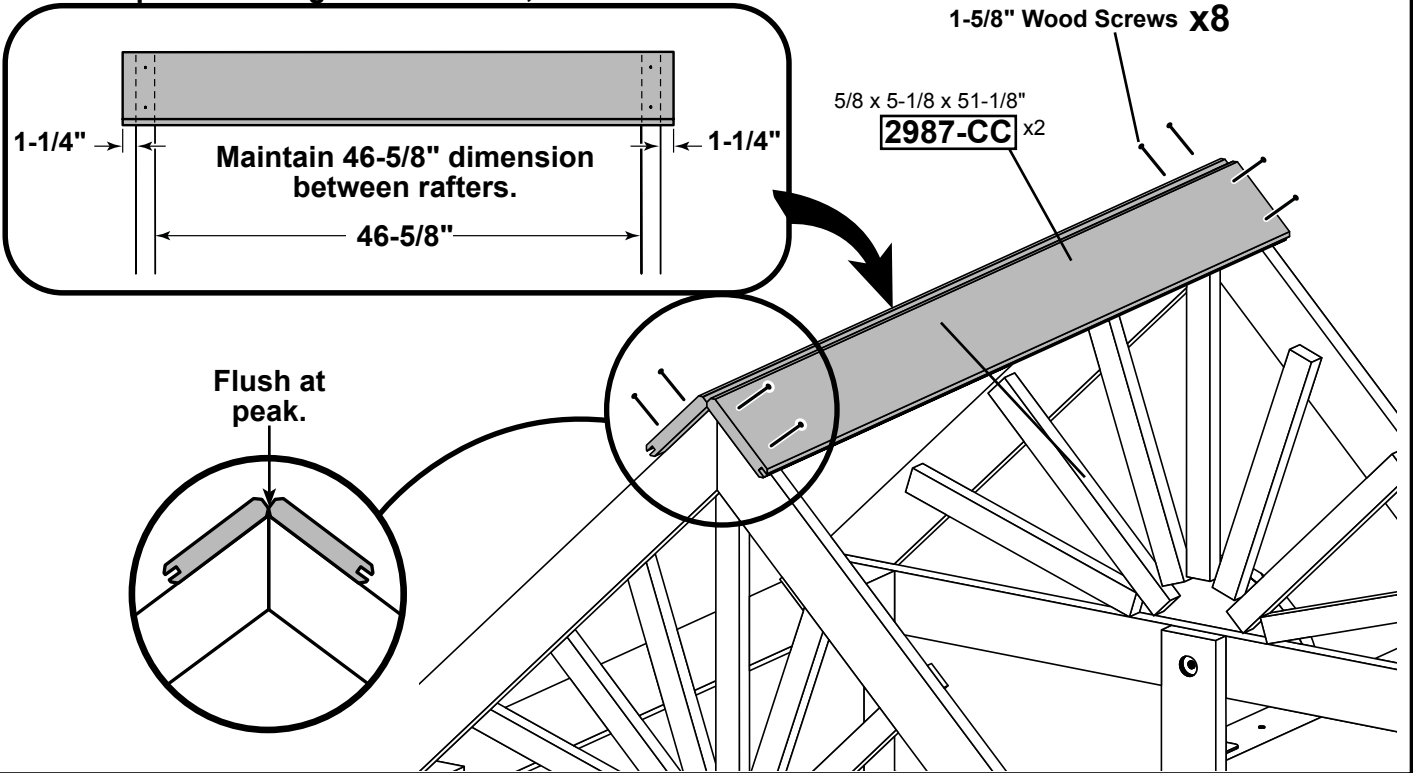
Repeat installation of 2991-CC and 2990-CC at opposite side of playset.



ROOF PLANKS

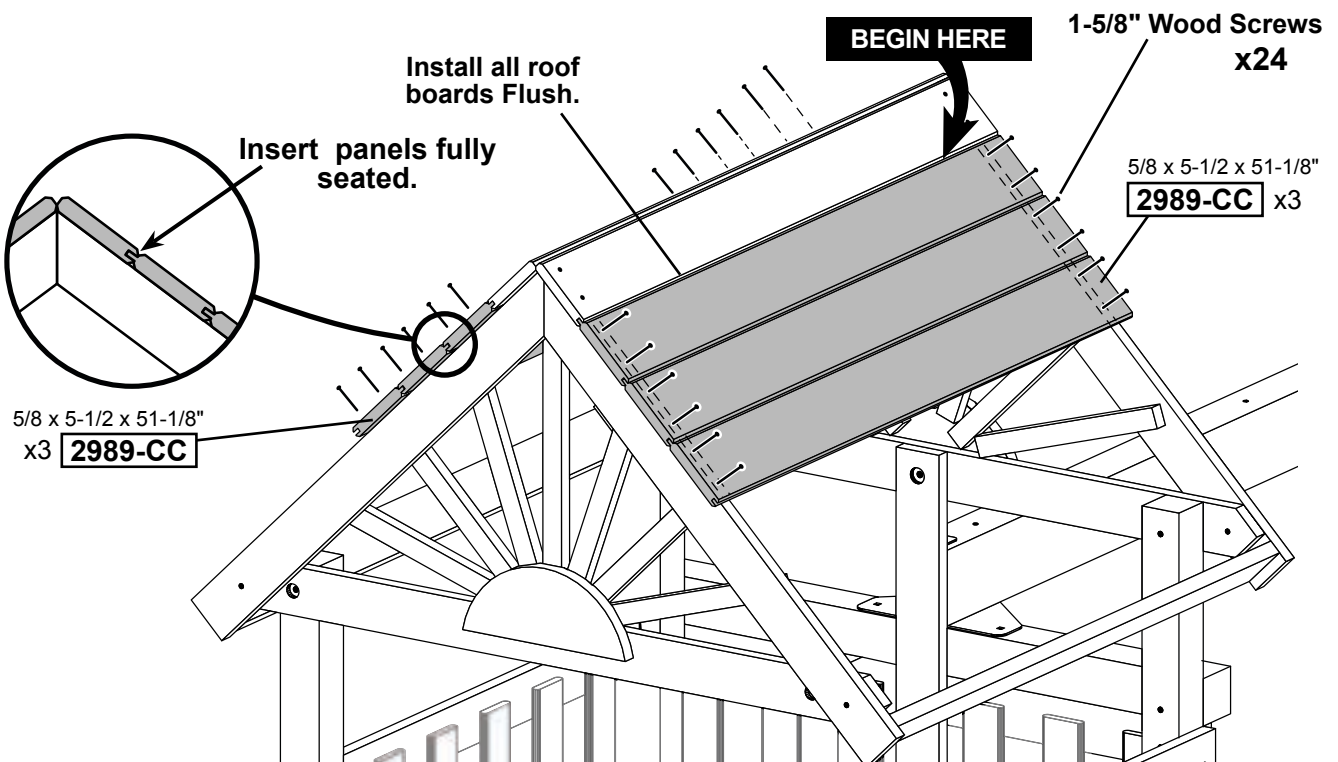
INSTALL

Center 2987-CC roof boards on rafters. Ensure equal overhang on both sides; about 1-1/4".



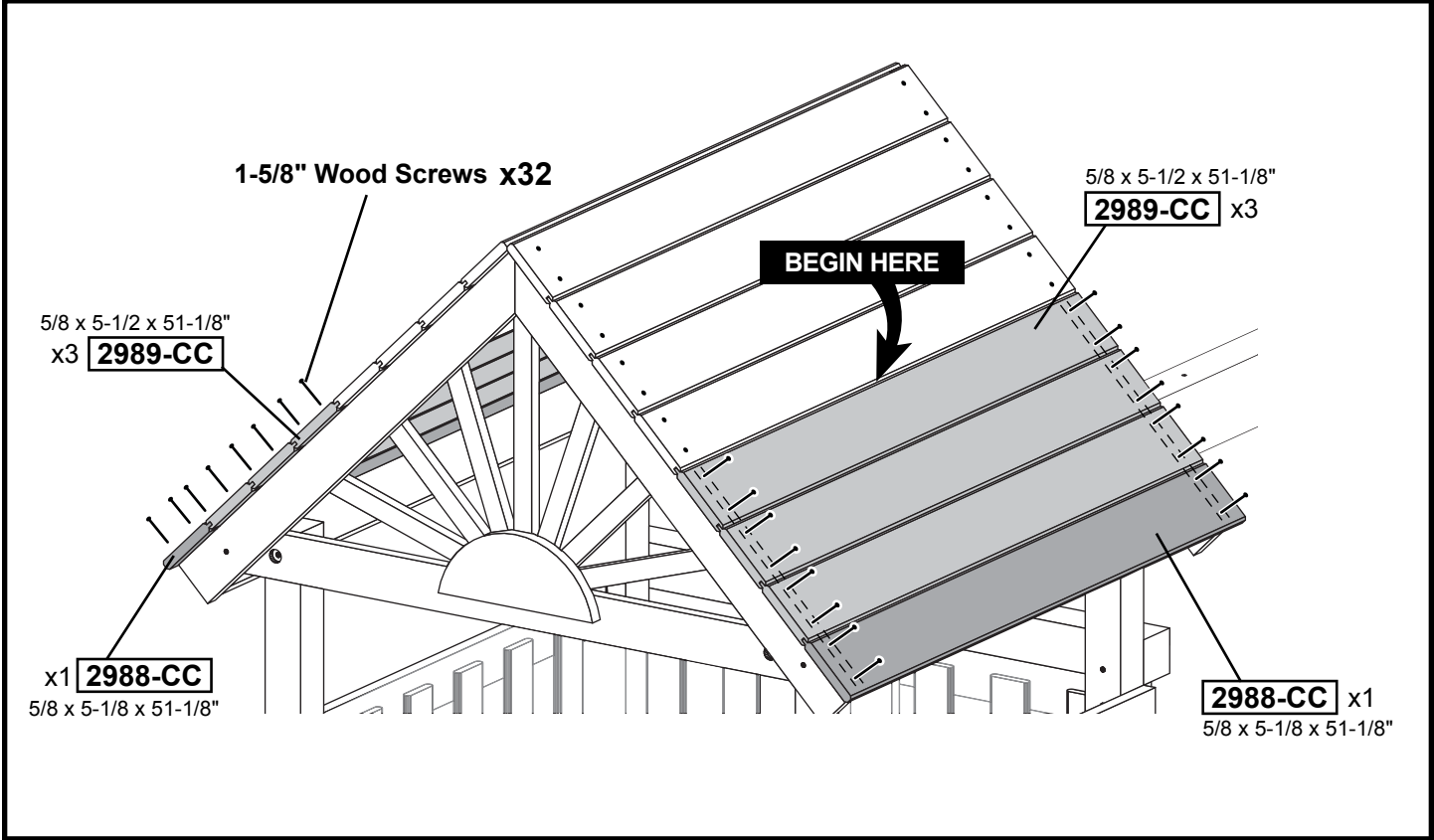
ROOF PLANKS

INSTALL



ROOF PLANKS

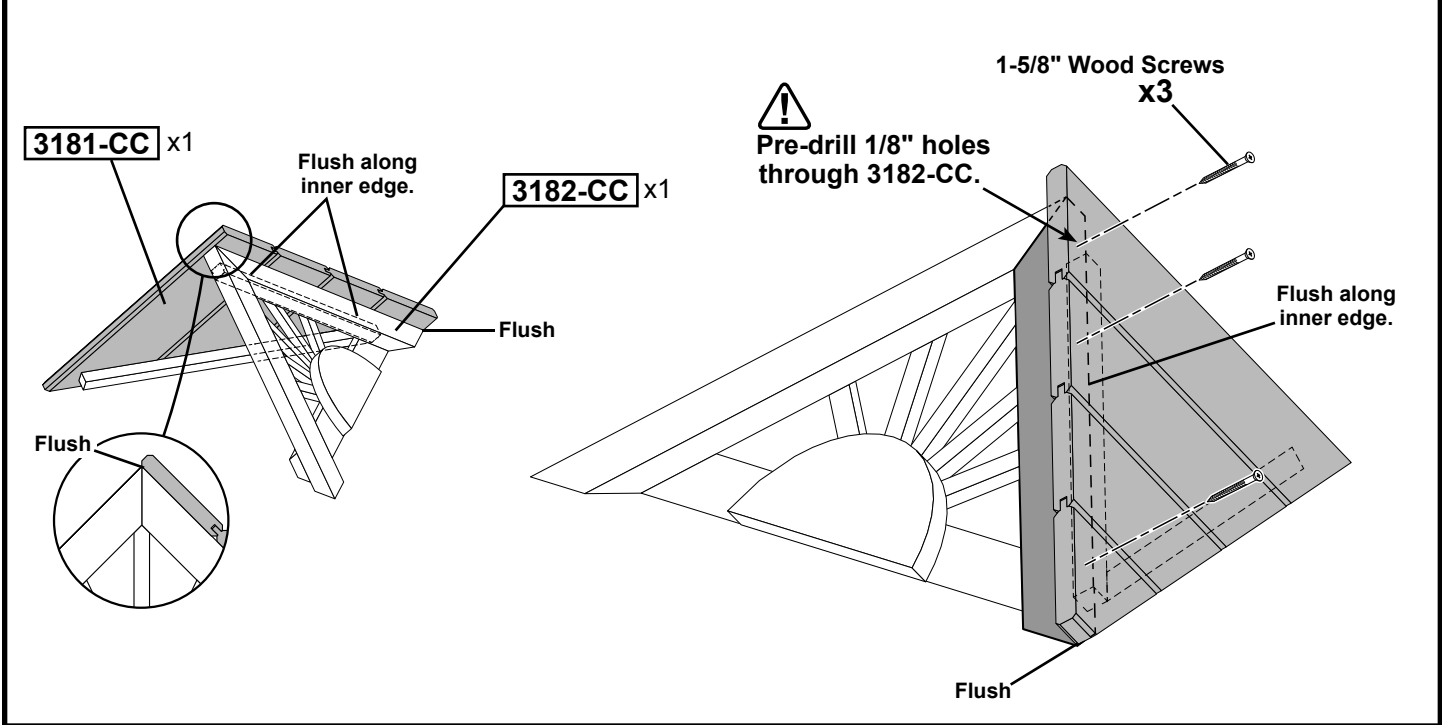
INSTALL



DORMER

ASSEMBLE

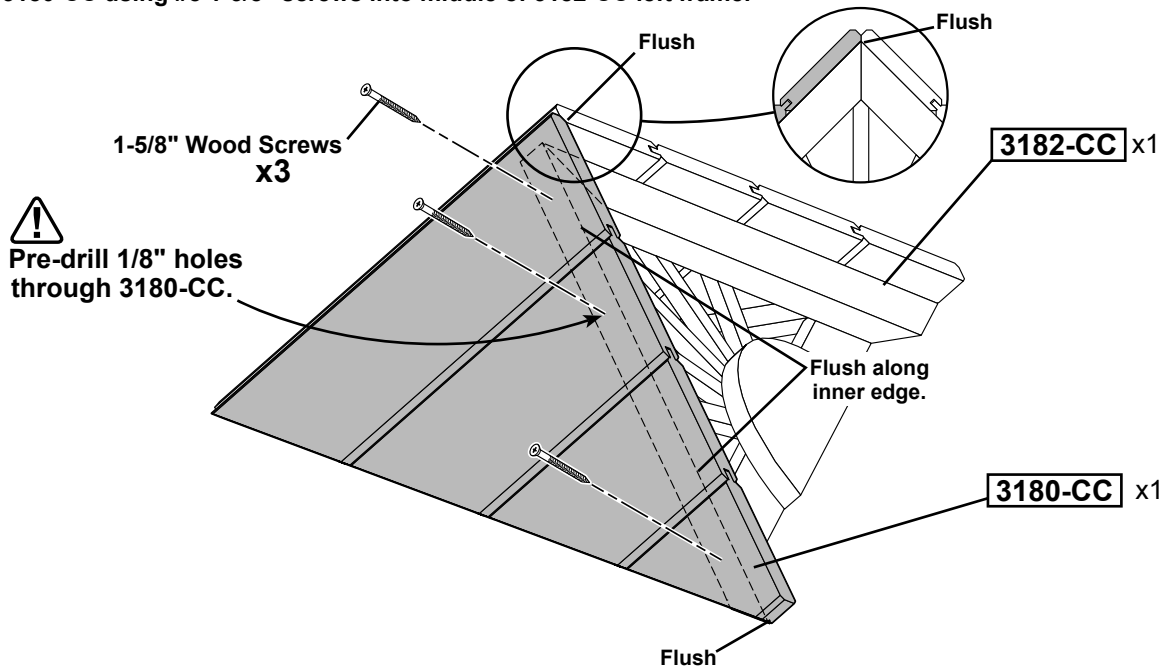
Align brace of 3181-CC flush with right frame of 3182-CC. Ensure flush at peak, all along edge and at corner. Attach 3181-CC using #8 1-5/8" screws into middle of 3182-CC right frame.



DORMER

ASSEMBLE

Align brace of 3180-CC flush with left frame of 3182-CC. Ensure flush at peak, all along edge and at corner.
Attach 3180-CC using #8 1-5/8" screws into middle of 3182-CC left frame.

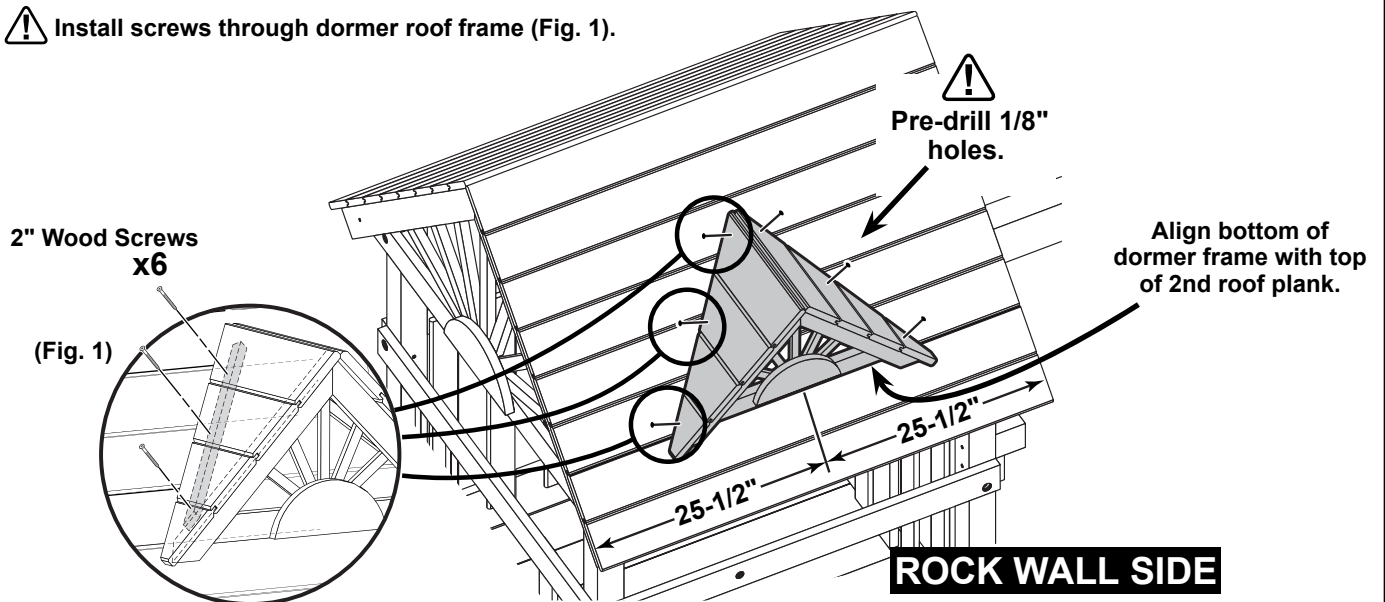


DORMER

INSTALL

Attach assembled dormer using #8 2" screws into roof planks as shown.

⚠ Install screws through dormer roof frame (Fig. 1).



RETURN TO PLAYSET INSTRUCTION MANUAL

WARRANTY

Backyard Play Systems warrants the following:

1. All wood components have a Limited Five Year Warranty.
 - Treated Wood - Backyard Play Systems will replace treated wood which becomes structurally unfit due solely to damage caused by fungal decay or termites.
2. All non-wood components* have a three year Limited Warranty.
 - *Ropes carry a one year Limited Warranty.
3. Installation labor has a one year Limited Warranty applicable on playsets installed by Backyard Play Systems. Labor warranty does NOT apply to Do-It-Yourself playset kits or kits installed by a third party.

Backyard Play Systems will repair, replace or pay for the affected part at our discretion. In no event shall Backyard Play Systems pay the cost of labor or installation or any other costs related thereto.

Non-residential use of the system is prohibited and will void this warranty as the system is designed for residential use only.

Conditions

The warranty is effective only when:

1. The unit has been erected in accordance with the assembly instructions.
2. The unit has been regularly and properly maintained and inspected.
3. The failure occurs when the unit is owned by the original purchaser.
4. This warranty is non-transferable
5. Backyard Play Systems has received a copy of your original proof of purchase with any claims in writing.
6. Backyard Play Systems has had reasonable opportunity during the sixty (60) days following the receipt of notification to inspect and verify the failure prior to commencement of any repair work.
7. "Significant color changes" to wood components is at the discretion of Backyard Products and require proof in the form of photographs or inspection by Backyard Play Systems.

Wooden components may have imperfections such as checks and knots. These are natural blemishes and imperfections which are inherent to wood. The imperfections not resulting in structural failure are not covered under this warranty.

Requirements

To validate your warranty it is necessary to fill out and mail in the enclosed warranty card. And also to maintain and inspect your playset regularly. Regularly is defined as once per start and end of season.

Claim Procedure

To make a claim under this warranty, you can either call 1-866-890-2211 or prepare a letter. Please have ready the information below when you call or include the information in writing:

1. The model and size of the product.
2. A list of the part(s) for which the claim is made.
3. Proof of purchase of the Backyard Play Systems item, as shown on the original invoice.
4. Run Code, as listed on the enclosed warranty card.

Mail the above information to:

Backyard Play Systems
Attn: Customer Service
1000 Ternes Dr.
Monroe, MI 48162

WARRANTY

Please feel free to call our Consumer Help Line Toll Free

1-866-890-2211

April through October M - F 8:00 AM to 7:00 PM EST

Saturday 8:30 AM to 4:30 PM EST

November through March M - F 8:00 AM to 5:00 PM EST

No warranty is offered on the following: (1) equipment subject to abuse, negligence, improper installation, vandalism, acts of God, unauthorized alteration or attachment to equipment other than our own: or (2) equipment subjected to improper use, service or repair by customer or any third party.

To the maximum extent permitted by law, this warranty and the remedies set forth herein are exclusive and expressly in lieu of all other warranties, expressed or implied, including warranties of merchantability or fitness for a particular purpose. If Backyard Play Systems cannot disclaim or exclude implied warranties under applicable law, then to the extent possible any claims under any such implied warranties shall expire on expiration of the applicable warranty period. Some states do not allow limitations on how long an implied warranty lasts, so the above limitation may or may not apply to you. Backyard Play Systems does not assume, or authorize any person to assume for us, any other liability in connection with the sale of our products.

To the maximum extent of the law, Backyard Play Systems assumes no responsibility for incidental or consequential damages which may arise from the purchase or use of our playset or equipment. Some states do not allow the exclusion or limitation of incidental or consequential damages, so the above limitation or exclusion may not apply to you.

If any provision of this limited warranty is invalid, void or unenforceable in any instance or respect, the unenforceable provision will be severed and reformed to effect the intent of this limited warranty to the maximum extent possible, and the remaining provisions shall continue in full force and effect and shall be enforced to the full extent permitted by law.

This warranty gives you specific legal rights, and you may also have other rights which vary from state to state.

- WARRANTY TERMS MAY VARY OUTSIDE THE U.S.A.**
- This manual is your warranty certificate. Please retain your original proof of purchase and this manual for any warranty claims.